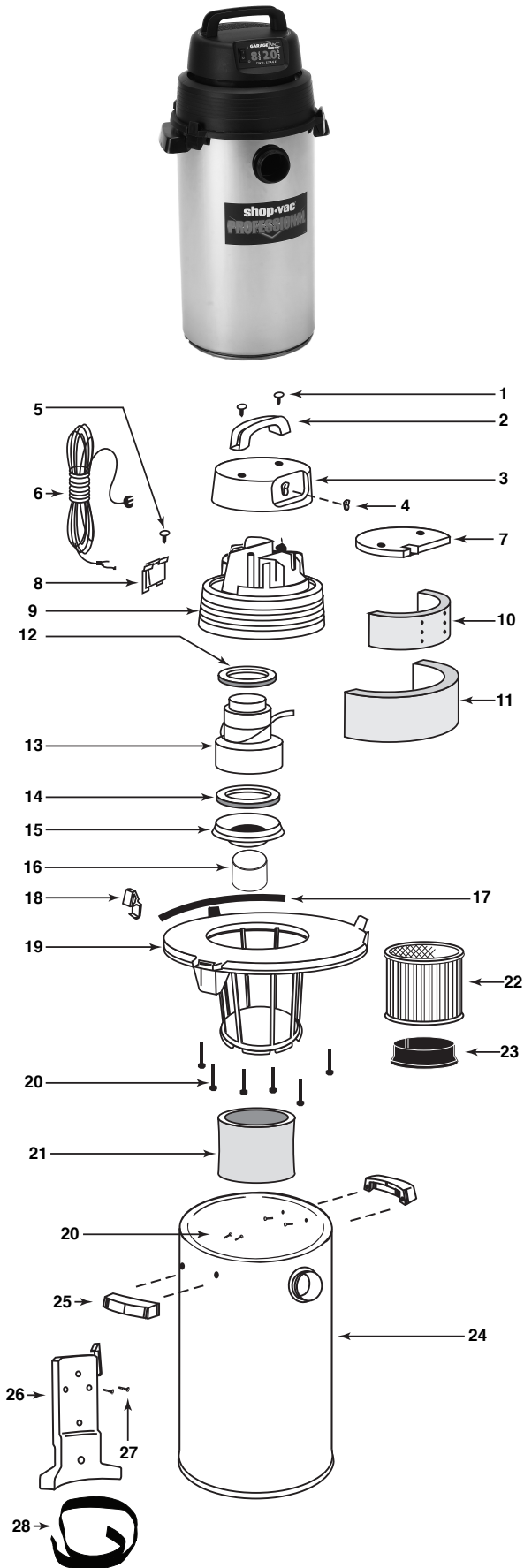


QLH Series

Model QLH20ATS



ITEM	DESCRIPTION	PART NO.
1	1/4 x 3/4" Lg. PH Truss Screw	1514699
2	Handle	2410500
3	Motor Housing Cover	1944588
4	Switch	8231900
5	Screw #8 x 1/2 Ph pan HD, Type AB	1500799
6	Cord	4150900
7	Foam Insert Cover	2412505
8	Cord Retainer	2411107
9	Motor Housing	2410714
10	Inner Housing Acoustical Foam	1290400
11	Outer Housing Acoustical Foam	1290503
12	Upper Motor Gasket	2070000
13	Motor	1940045
14	Lower Motor Gasket	2071600
15	Grid Plate	8860700
16	Float	3545000
17	Strip Gasket	2071100
18	Lid Latch	8550101
19	Lid Cage Assembly	1944619
20	Screw 10 x 3/4" SL HX HD Type AB	1503999
21	Foam Sleeve	9058500
22	Cartridge Filter	9035000
23	Filter Retainer	3008000
24	Tank	5082497
25	Side Tank Handle	9355100
26	Wall Bracket	8328000
27	Hardware Package	4904096
28	Mounting Strap	2751310

* Replacement parts may differ from original equipment.